

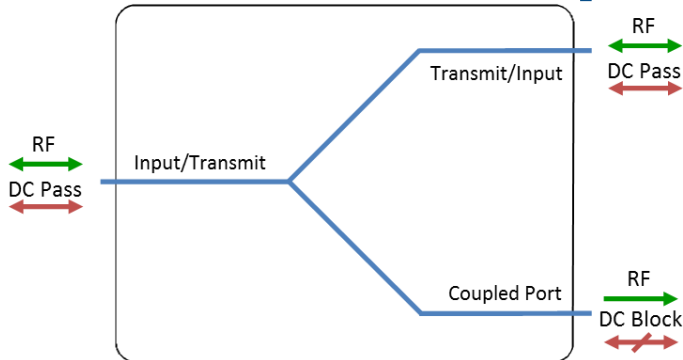


Model Number:  
**CPLxxKXP-4348**

RF Components

# Wideband Directional Coupler

2-18 GHz



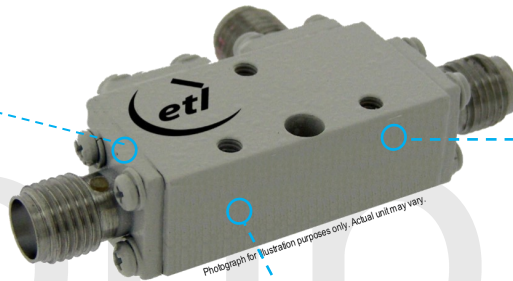
- Wide band 2-18 GHz
- 10 or 20 dB coupling

Available with RF connector options:

- 50 Ω SMA
- 50 Ω N-type



**2-18 GHz**  
Operating frequency range. C, X & Ku band ready.



**Compact**  
Housed in rugged compact enclosure



**Flexible Mounting**  
Through hole mounting options

RF Parameters				
CPLxxKXP-4347		S5S5S5/N5N5N5		
Frequency Range		2-18 GHz		
RF Connectors		SMA 50 ohm		N-type 50 ohm
Coupling Factor (dB)		10 ± 1.0	20 ± 1.0	20 ± 1.0
Insertion loss* (dB)	Max.	0.7	0.5	0.5
Thru Line Flatness (dB)	Max.	±1.2	±1.2	±1.0
Return Loss (dB) Thru line	Typ.	17	17	17
	Min	14	14	14
Return Loss (dB) Coupled port	Typ.	17	17	17
	Min	14	12	14
Directivity** (dB)	Min	14	14	14

\* Excluding coupling loss  
\*\*Directivity across frequency band will vary.

**Broadcast**



**Marine Oil & Gas**



**SNG & VSAT**



**Satellite Teleport**





RF Components

Model Number:  
**CPLxxKXP-4348**

Wideband 2-18 GHz 10 / 20 dB coupler

**Technical specifications and operating parameters**

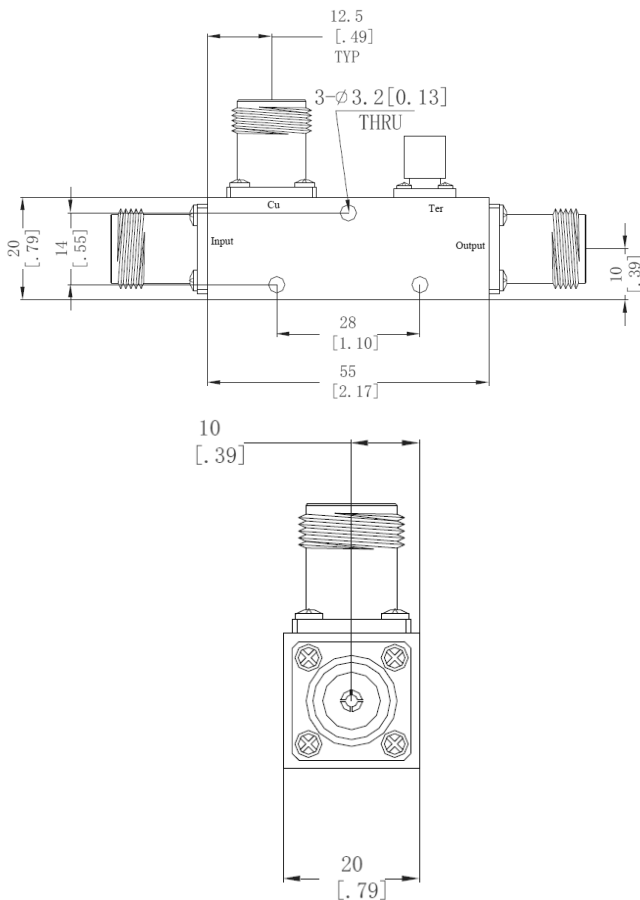
Environmental		
Operating Temperature		-45°C to +85°C
Storage Temperature		-45°C to +85°C
Location		Indoor use Only
Humidity	Max	85% non-condensing
Altitude	Max	10,000 feet

Max Operating Parameters	
Input RF Power	+47 dBm 50W (forward)

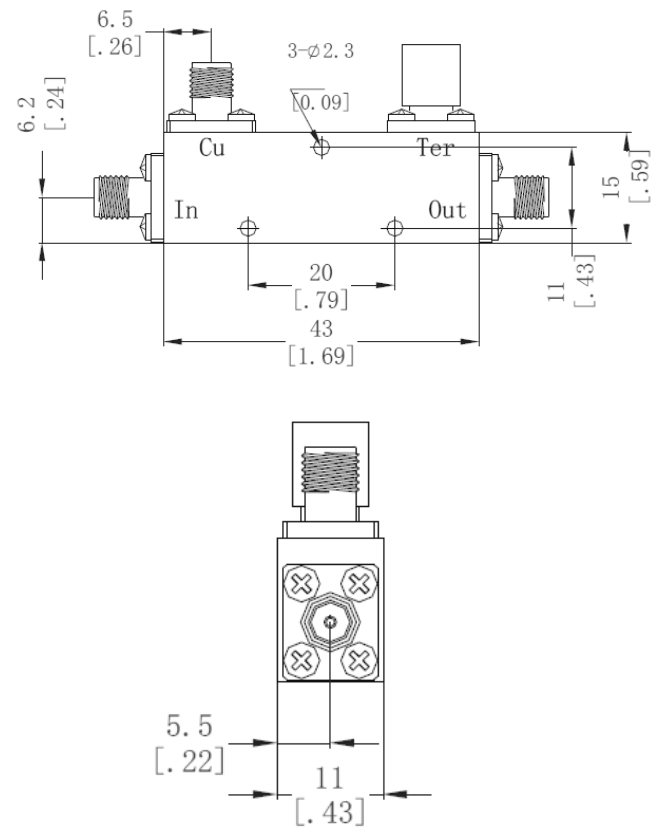
**!** Operation beyond these limits may cause instantaneous and permanent damage.

**Physical Dimensions (mm)**

**50 Ω N-type**



**50 Ω SMA**



ETL SYSTEMS LIMITED  
Coldwell Radio Station  
Madley  
Hereford  
England HR2 9NE

TELEPHONE  
+44 (0)1981 259020  
  
EMAIL  
info@etlsystems.com

FACSIMILE  
+44 (0)1981 259021  
  
WEB  
www.etlsystems.com

